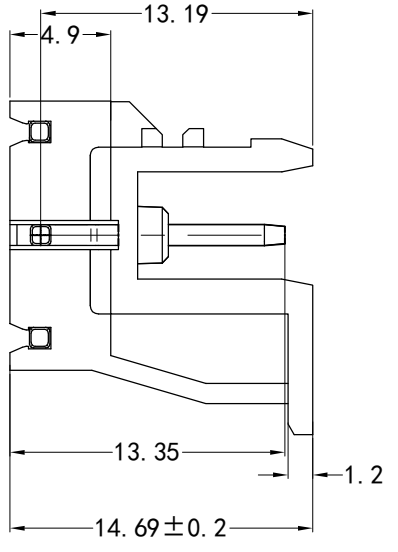
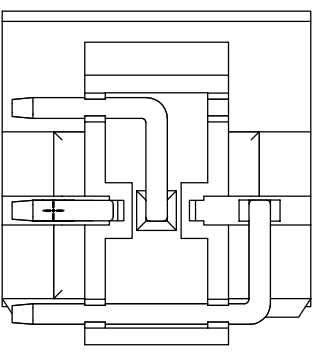
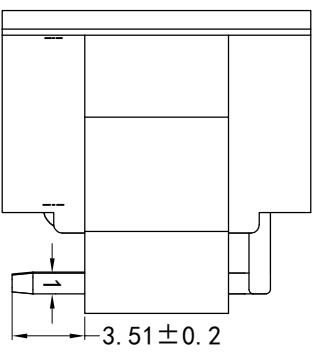
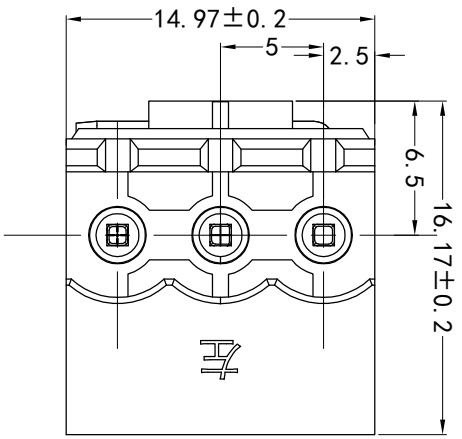
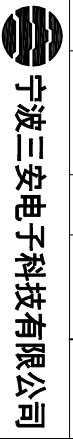


REV	CONTENT	CHK	DATE
V0.0	CONTENT	MYZ	22.10.12



Total Pitch Tolerances		Nominal dimension range	
In mm		In mm	
0	over	0	over
30	to	53	to
53	to	70	to
70	to	90	to
90	to	115	to
115	to	150	to
150	to	250	to
250	to	350	to
350	to	0	to
0	to	30	to
30	to	53	to
53	to	70	to
70	to	90	to
90	to	115	to
115	to	150	to
150	to	200	to
200	to	250	to
250	to	320	to
320	to	0	to
0	to	10	to
10	to	10	to
10	to	100	to
100	to	150	to
150	to	150	to
150	to	150	to

8	LABEL	XX	1	PVC	/
7	TERMINAL-4P	XX	4	PA66 UL94V-0	/
6	Czrd buckle	XX	1	STEEL	
5	SPRING	XX	1	SPRING STEEL	
4	COVER-TOP	XX	1	PA66 UL94V-0	/
3	CLAMP	XX	2	PA66 UL94V-0	/
2	HOUSING-RIGHT	XX	1	PA66 UL94V-0	/
1	HOUSING-LEFT	XX	1	PA66 UL94V-0	/
ITEM	NAME OF PART	Q'TY	MATERIAL		
DWG.	CXL	DATE	22.10.12	SCALE	A4
CHK	DATE	DATE		SCALE	1:1
APP	DATE			NAME	3P-左针座
				DWGNO.	XXXXX



宁波三安电子科技有限公司

3P-左针座